



KT 1316 – 16 GALLON

KT 1330 – 30 GALLON

AUTOMOTIVE/INDUSTRIAL PARTS CLEANER SYSTEM

OPERATION AND INSTRUCTION MANUAL

**IMPORTANT INFORMATION
READ BEFORE OPERATING**

1. Do not modify this machine. This parts cleaner is intended for use with approved cleaning solvents.
2. Do not add other chemicals such as kerosene, fuel oil, gasoline, transmission fluid, detergents or water.
3. Avoid leaving large parts, soaking pans or tools in parts cleaner, which could prevent lid from closing in case of fire.
4. Do not leave solvent-soaked rags in parts cleaner, wadded up on workbenches or in uncovered containers.
5. Do not leave open pans of solvent in the sink or anywhere around your place of business.
6. When cleaning carburetors, wash out all excess gasoline before placing in parts cleaner. Gasoline has a lower flash point (105°) than parts washer approved solutions and should never be mixed with solutions.
7. Do not replace fusible link with any other device to hold lid up. If fusible link should fail, for any reason call your parts washer distributor immediately.
8. Soak up all solvent spills with absorbent floor compounds. Remove all solvent-soaked materials immediately from shop areas and dispose of properly.
9. Call your equipment distributor should your parts cleaner need service.
10. Make certain your parts washer is plugged in to a grounded outlet. Do not snip the grounding prong from plug.
11. Be sure to close parts washer cover when not in use.

SOLVENT INFORMATION

USE ONLY APPROVED METAL PARTS CLEANING SOLVENT

IN CASE OF FIRE: Use dry chemicals, foam or carbon dioxide to extinguish flame. The fusible safety-link is designed to melt and allow the cover to fall shut and smother any flames.

TOXICITY: KleenTec solvent is, by definition only, slightly toxic to relatively non-toxic. Avoid inhaling or swallowing KleenTec solvent. If inhaled, ingested, or contacted with your skin, face or eyes, follow first aid (medical instructions) for treatment.

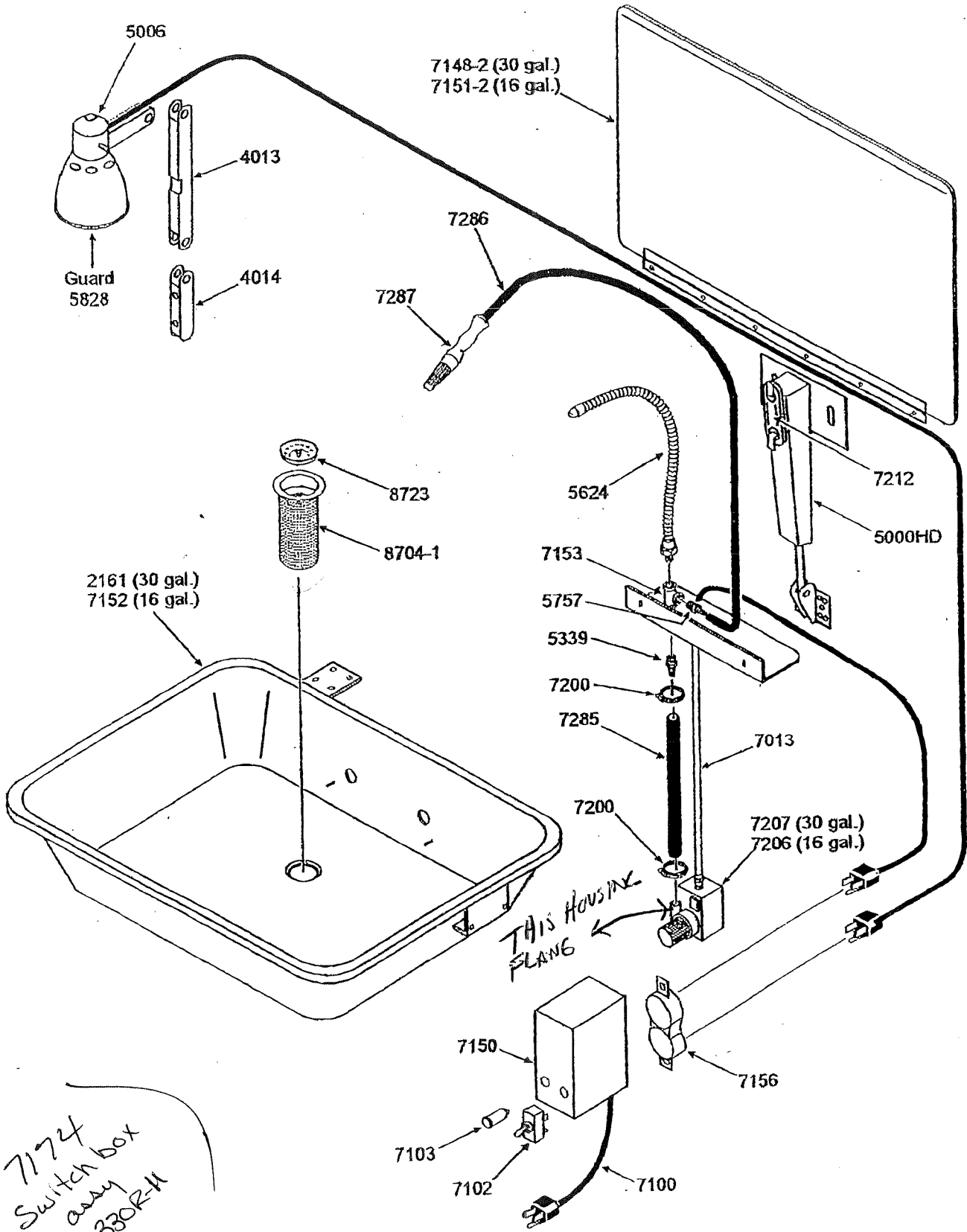
PRECAUTIONS:

1. Locate the unit in well-ventilated area.
 2. CAUTION – COMBUSTIBLE MIXTURE.
Keep from heat, sparks, and open flame.
 3. Do not smoke, drink or eat in work area.
 4. Avoid contact with eyes. Will cause irritation and/or pain. Wear safety glasses.
 5. Avoid repeated and/or prolonged contact with skin. May cause irritation or dermatitis. It is recommended that protective rubber glove, KleenTec Skin Protectant, and protective clothing be used in cases of prolonged or continual exposure to solvent.
- NOTE: A solvent-soaked rag in your pocket will cause a skin rash at point of contact.
6. Avoid repeated and/or prolonged breathing of vapors. Vapors are heavier than air and will collect in low areas. High vapor concentrations can cause dizziness or unconsciousness.
 7. Do not mix with other chemicals such as gasoline, fuel oils, transmission fluid, detergents or water.

FIRST AID:

1. INHALATION OVEREXPOSURE:
Remove to fresh air immediately.
If not breathing, give artificial respiration.
If breathing is difficult, give oxygen. Call a physician immediately.
2. EYE CONTACT:
Flush eyes with plenty of water for at least 15 minutes. Call a physician immediately.
3. SKIN CONTACT:
Remove saturated clothes immediately to avoid skin rash or absorption of solvent into skin.
Flush with water for at least 15 minutes. Call a physician immediately.
4. INGESTION:
DO NOT INDUCE VOMITING.
If conscious, drink large quantities of water.
Take immediately to hospital or physician.

KT1316R-8 and KT1330R-11 Components

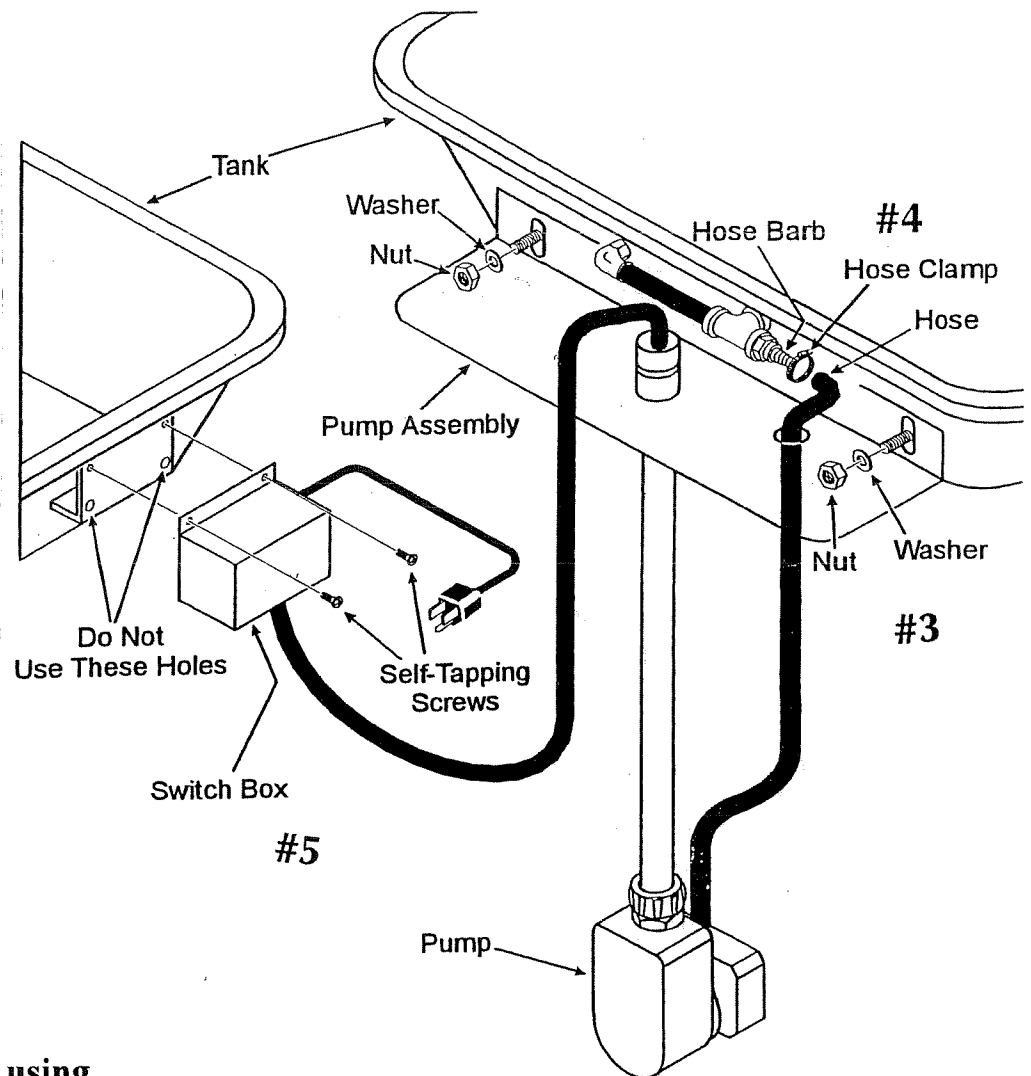


7174
Switch box
assy
KT1330R-11

12/9/02

INSTRUCTIONS FOR 16 GALLON AND 30 GALLON

1. Remove tank and pump from box.
2. Mount parts washer on to barrel.
3. Install pump assembly using two (2) 1/4x20 keps nuts and two (2) washers.
4. Install hose from pump on to plastic hose barb. Secure with hose clamp.
5. Install switch box to tank using two (2) #8 self-tapping screws. Use upper 2 holes on mounting bracket.
6. Place filter assembly into parts washer.
7. Install fluid into barrel – minimum of 10 gallons in model KT1316; minimum of 17 gallons in KT1330.
8. Plug machine into standard 110 volt grounded outlet.
9. Turn switch on and use your new parts washer.



KLEENTEC PARTS WASHER PARTS

<i>PARTS WASHER ACCESSORIES</i>		<i>PARTS WASHER PARTS</i>	
<i>PART NUMBER</i>	<i>DESCRIPTION</i>	<i>PART NUMBER</i>	<i>DESCRIPTION</i>
5007	PARTS WASHER LITE (ALL UNITS)	5000HD	DOOR CLOSURE
5004	FILTER SYSTEM (ALL UNITS)	5553	ROCKER SWITCH
7039	PARTS BASKET (ALL UNITS)	7206	ELECTRIC PUMP
7287	HEAVY DUTY PARTS WASHER BRUSH	7209	FLEX SPIGOT
7287-1	HEAVY DUTY PARTS WASHER BRUSH WITH HOSE	7147	FUSIBLE LINK FOR PN 5000

KLEENTEC, INC.
1212 SYKES STREET, ALBERT LEA, MN 56007
1-800-435-5336 or 1-507-373-5152
FAX 1-507-373-9262

WARRANTY

The manufacturer will replace at no charge to the original purchase (end user), any part or parts found to be defective in material or workmanship, when part is returned to our factory for inspection within 90-days from date of purchase. Transportation charges to be paid by purchaser.

In the event of any modification to unit, misuse, negligence or accident, warranty is void.

There is no other warranty expressed or implied. The manufacturer shall in no event be liable for consequential damages.

The manufacturer reserves the right to make changes in design or improvements on its product without imposing any obligation on itself to install the same on its product theretofore sold.

Warranty becomes valid only if registration card is promptly executed and mailed within fifteen (15) days from date of installation of unit.