



CLEANMASTER[®] PARTS WASHER

MODEL 65 • MODEL J-50 • MODEL RK 60

OPERATION AND CARE INSTRUCTIONS

DEAR CUSTOMER,

Thank you for your recent purchase of a Kleeer-Flo Cleanmaster Parts Washer. Like thousands of other Kleeer-Flo customers, you've made an excellent choice.

When used according to instructions, your Cleanmaster equipment will provide many years of trouble-free service. The many superior features it provides will make short work of oil, grease, dirt and grime, bringing exceptional efficiency and economy to your operation. And depending on the nature of your cleaning operation and type of filtration you've ordered, you'll find you can use your Kleeer-Flo cleaning solvent over and over for months with your Cleanmaster unit by simply draining off the accumulated residue from time to time.

For top performance, we highly recommend that you use our non-hazardous Degreasol[®] 99R cleaning solution in your Cleanmaster unit. It's formulated specifically for use in Kleeer-Flo Cleanmaster Parts Washers, and gives you superior cleaning performance without harming the skin, hands or clothing. And with its high flashpoint, Degreasol 99R contains no ingredients or characteristics defined as hazardous by the EPA's RCRA Act.

You can obtain parts cleaning brushes, as well as the wide range of other parts washers, safety cleaning solutions, accessories and recycling technologies manufactured by Kleeer-Flo, from your local distributor. Or, feel free to write to our Engineering Department about your special cleaning needs - with no obligation of course.

Please fill out and mail the enclosed warranty card today. We look forward to serving you again.

Very truly yours,

Kleeer-Flo Company

OPERATION & MAINTENANCE

FILLING MACHINES

1. Be sure drain is closed.
2. Fill main tank.
 - Fill MODEL 65 to depth of 9-1/4" (approximately 30 to 35 gallons).
 - Fill MODEL J50 to depth of 8-1/2" (approximately 20 gallons).
 - Fill MODEL RK60 to a depth of 9" (approximately 25 to 35 gallons)

CAUTION

- Do not underfill. Maintain proper fluid depth at all times.

CAUTION

- Use only petroleum-base solvents with a flashpoint of 115° F. or higher. Other types will remove paint, attack seals, and cause leaking. Do not use carburetor cleaners or chlorinated solvents in the machine.

OPERATION

1. Check serial plate to determine power requirements.
2. Make sure switch is in "off" position and direct stay put discharge hose into unit. Plug into power supply.
3. Turn on switch to start fluid flow.
 - MODELS 65 & J50 pumps will start fluid flowing through the manifold creating agitation in the tank. To begin fluid flow through the discharge hose, turn the flow adjustment handle at it's base.

FILTER SYSTEM

The MODEL RK60 is equipped with a barrier filtration system. Between the main tank and the pump reservoir, there is a barrier type filter which allows only filtered solvent to re-enter the pump system.

NOTE

- Barrier filters must be periodically cleaned or the pump will clog. See cleaning instructions.

FILTER SYSTEM (cont)

MODELS 65 & J50 are equipped with the unique Klee-Flo dual filtration system. Under the pump reservoir is a barrier type filter through which all solvent is drawn prior to entering the pump. Solvent then passes through a cartridge type filter. This allows only clean solvent to be used in the final rinsing of parts.

CLEANING YOUR CLEANMASTER

1. Remove barrier filter.
 - On MODELS 65 & J50 remove the cartridge filter F-100 and discard.
2. When using DEGREASOL 99R, direct discharge hose into a holding container such as a drum.
3. Start pump.
4. When tank is empty, shut off the pump.
5. Stir solvent in bottom of tank so all sludge is mixed in.
6. Open drain.
7. Rinse out with DEGREASOL and drain into a discharge container.
8. Close drain.
9. Wash out barrier filter with DEGREASOL and replace.
 - On MODELS 65 & J50 replace a new cartridge filter F-100.
10. When using DEGREASOL 99R, let holding container stand overnight and then pump off the re-useable top leaving sediment on the bottom of the container.

MOTOR & PUMP CARE

All Klee-Flo motor and pump units are adjusted at the factory. Do not attempt to adjust in the field.

CAUTION

- Do not operate pumps without fluid in the tank.

FOR BEST RESULTS

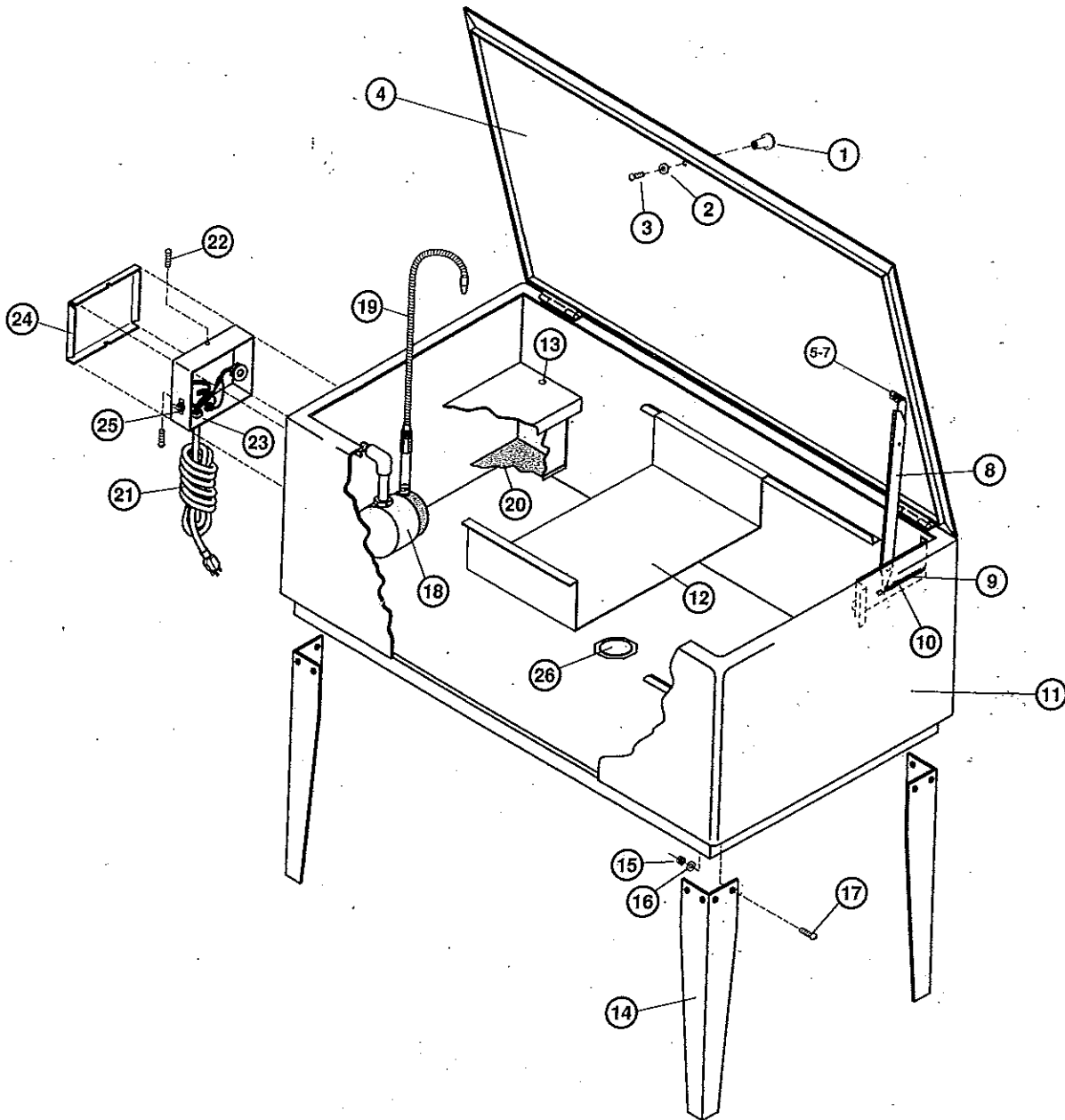
We recommend Klee-Flo's DEGREASOL® 99R General Purpose Cold Cleaning Solvent. It is especially designed to be used in these machines. DEGREASOL 99R is non-hazardous as defined by EPA's RCRA regulations and has a high flashpoint of 141° F. TCC. It is non-toxic, dries with no residue and due to its special formulation, you never have to throw it away. Other DEGREASOL solvents are available; contact the factory for additional information.



RECLAIM YOUR SOLVENT

With Klee-Flo's SEP-R-ATOR™ Parts Washer Solvent Reclaimer. The SEP-R-ATOR is not a distillation unit. It is a very sophisticated filtration system which allows you to recycle and re-use your parts washer solvent indefinitely. The SEP-R-ATOR simply plugs into a 110-volt outlet. It is very safe, simple to operate, and profitable for the user. Depending on the volume of parts washer solvent used, it can pay for itself in as little as one year. See Klee-Flo's catalog S-12 for details.

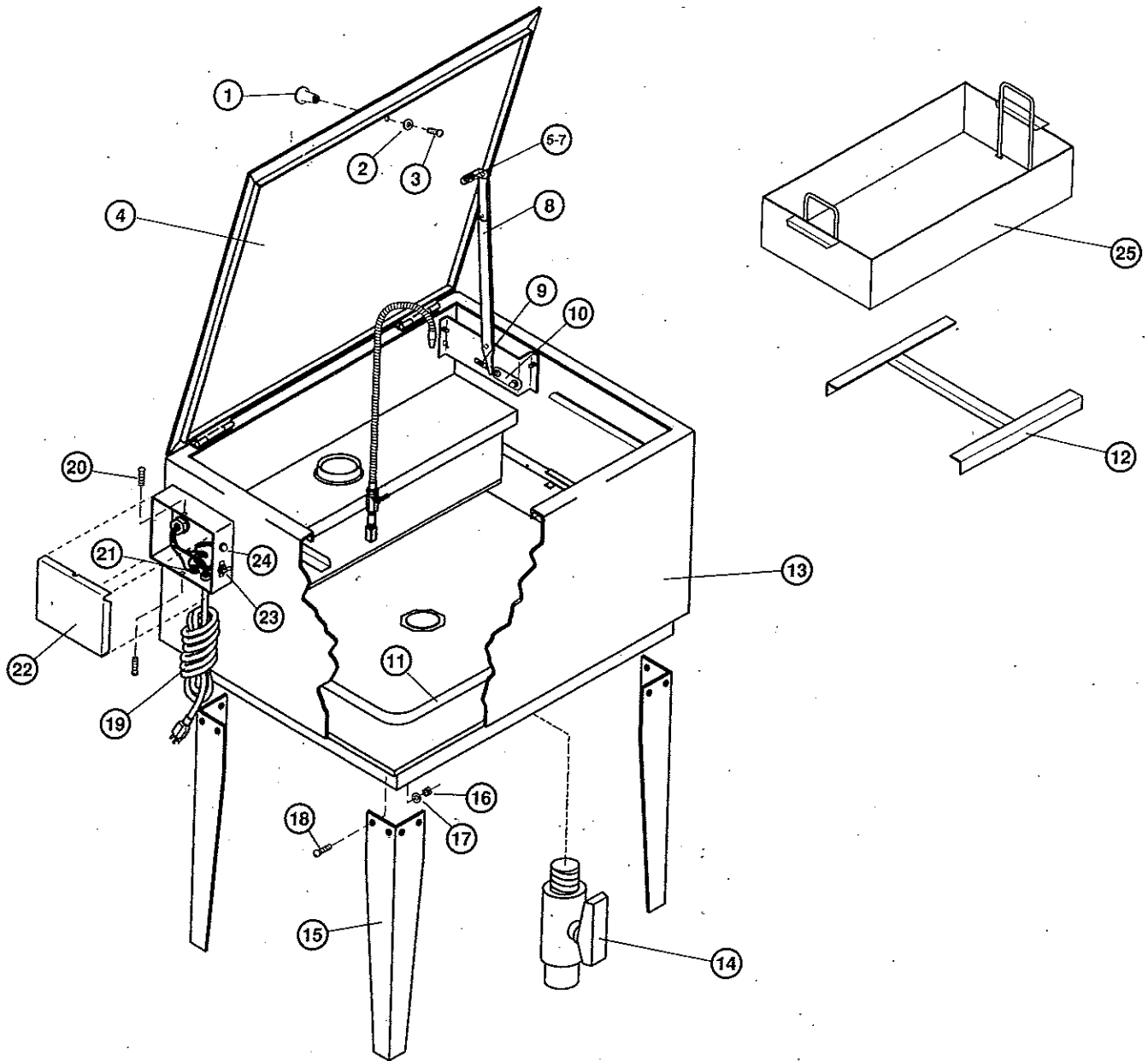
PARTS LIST MODEL RK60



TO ORDER FILTERS, PARTS, AND SUPPLIES CALL TOLL FREE: 800-328-7942 • In MN: 612-934-2555 • FAX: 612-934-3909

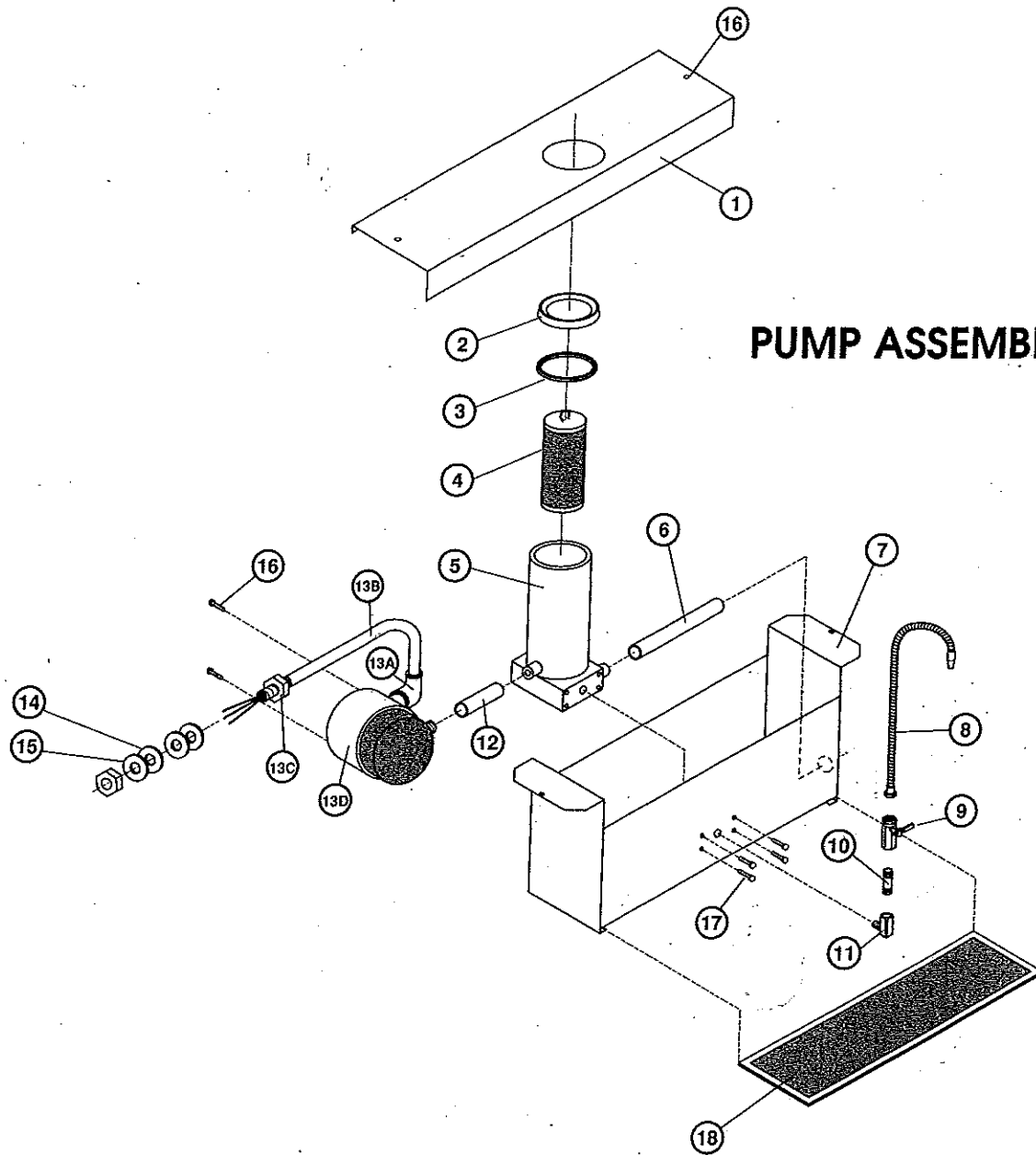
No.	PART No.	DESCRIPTION	Qty.	No.	PART No.	DESCRIPTION	Qty.
1	09-2	Cover Knob	1	14	6002-3	Leg	4
2	B-3	#10 External Shakeproof Washer	1	15	11-3	1/4-20 Hex Nut	16
3	P-1	8-32 x 5/8 Machine Screw	1	16	02-6	1/4 Spring Lockwasher	16
4	6009	Cover	1	17	02-5	1/4-20 x 5/8 Machine Screw	16
5	01-12	10-24 x 1/2 Machine Screw	2	18	RK15	Motor & Pump Assembly	1
6	B-3	#10 External Shakeproof Washer	2	19	60-11	Flex Hose	1
7	10-5B	10-24 Hex Nut	2	20	BF50	Barrier Filter	1
8	10	Support Arm	1	21	16	Power Cord	1
9	10-2	Spring	1	22	01-10	10-24 x 3/8 Type 23 Screw	2
10	10-1	Fusible Link	1	23	16-2	Strain Relief	1
11	6001	Cabinet	1	24	5004-1	Junction Box Cover	1
12	6005	Work Shelf	1	25	04-2	Switch	1
13	P-13	#10 x 3/8 Type A Screw	2	26	01-2	2" Bung Nut	1

PARTS LIST MODEL J50



TO ORDER FILTERS, PARTS, AND SUPPLIES CALL TOLL FREE: 800-328-7942 • In MN: 612-934-2555 • FAX: 612-934-3909

No.	PART No.	DESCRIPTION	Qty.	No.	PART No.	DESCRIPTION	Qty.
1	09-2	Cover Knob	1	14	5001-2C	2" Plastic Drain Valve	1
2	B-3	#10 External Shakeproof washer	1	15	6002-3	Leg	4
3	P-1	8•32 x 5/8 Machine Screw	1	16	11-3	1/4 - 20 Hex Nut	16
4	5009	Cover	1	17	02-6	1/4 Spring Lockwasher	16
5	01-12	10•24 x 1/2 Machine Screw	2	18	02-5	1/4 • 20 x 5/8 Machine Screw	16
6	B-3	#10 External Shakeproof Washer	2	19	16	Power Cord	1
7	10-5B	10•24 Hex Nut	2	20	01-10	10•24 x 3/8 Type 23 Screw	2
8	10	Support Arm	1	21	16-2	Strain Relief	1
9	10-2	Spring	1	22	5004-1	Junction Box Cover	1
	10-1	Fusible Link	1	23	04-2	Switch	1
	5003	Manifold	1	24	04-1	Indicator Light	1
12	5001-16	I-Grate	1	25	08-A	Basket	1
13	5001	Cabinet	1	x	BR-6	Brush (Not Shown)	1

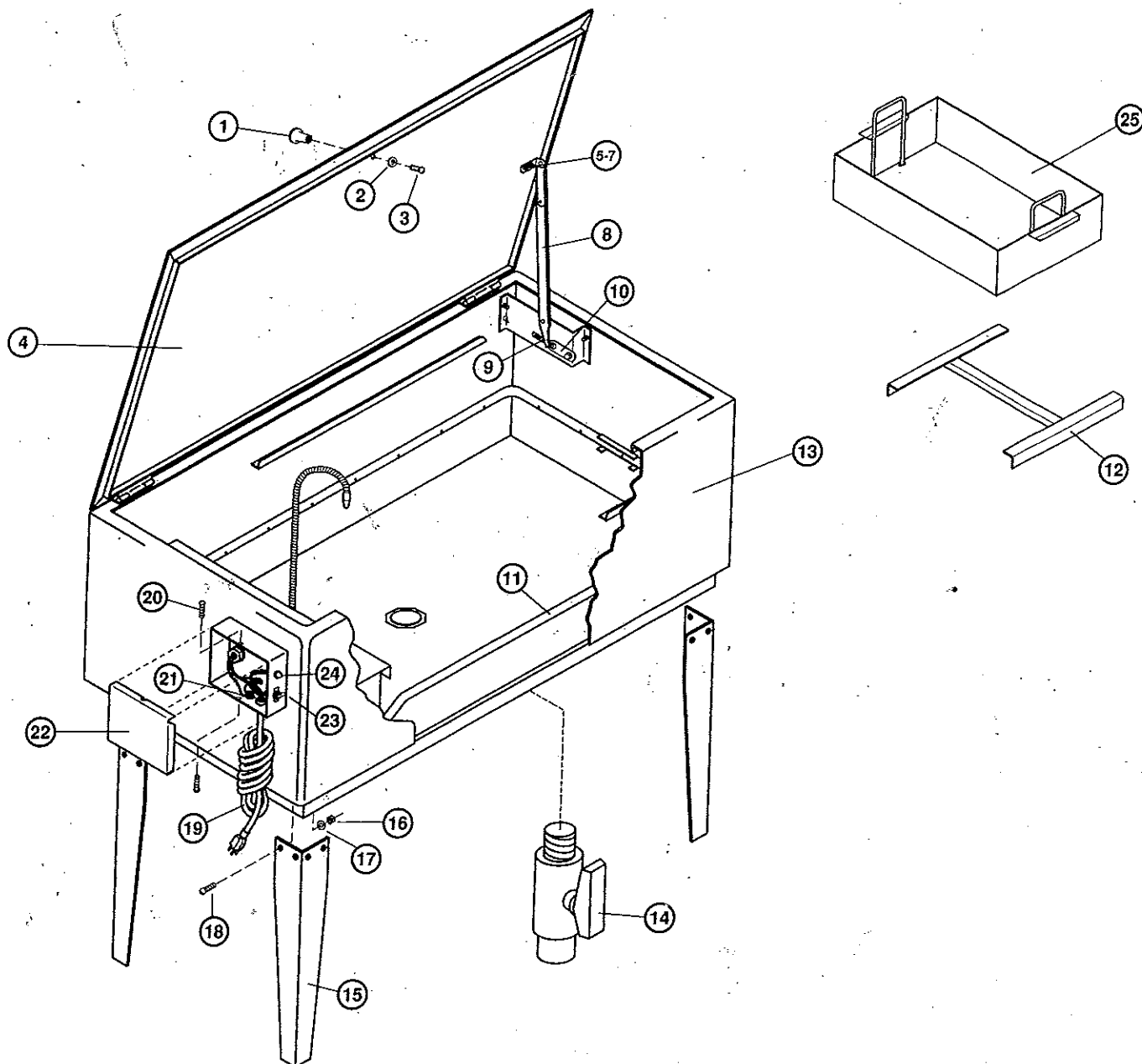


PUMP ASSEMBLY

TO ORDER FILTERS, PARTS, AND SUPPLIES CALL TOLL FREE: 800-328-7942 • In MN: 612-934-2555 • FAX: 612-934-3909

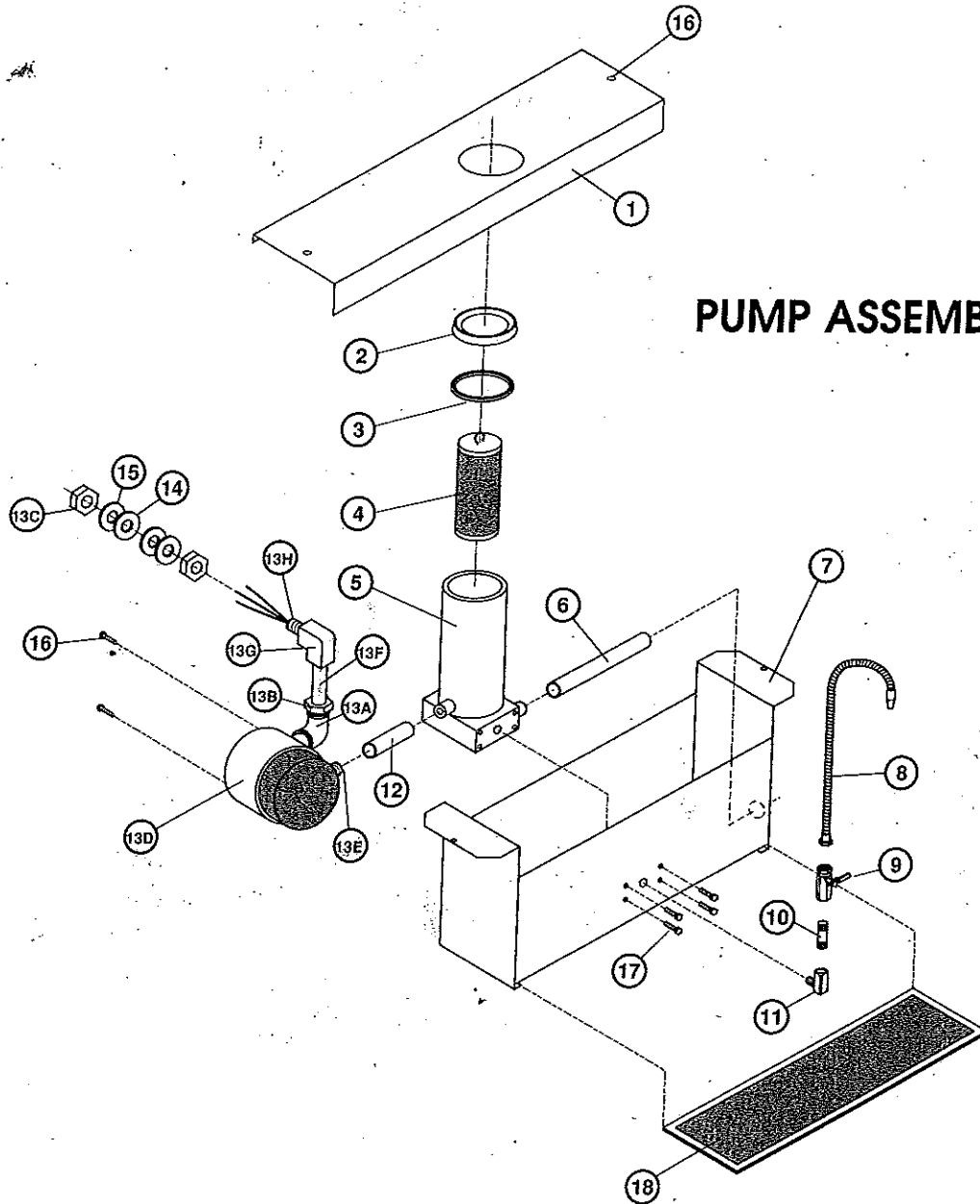
No.	PART No.	DESCRIPTION	Qty.	No.	PART No.	DESCRIPTION	Qty.
1	5015-11	Motor & Pump Cover	1	12	2426	1/2 x 3/4 Vinyl Tube @ 2-3/4"	1
2	14-2A	Filter Cap	1	13A	5027	1/4 x 1/2 Galv. El.	1
3	14-3	Filter Gasket	1	13B	5004	J50 Conduit	1
4	F-100	Filter Cartridge	1	13C	03-3	1/4 NPT Nut	1
5	5014	Filter Housing	1	13D	RK15NK-2	J50 Pump	1
6	5014-8	5/8 x 7/8 Vinyl Tube @ 6-3/4"	1	14	03-5	1-1/16 O. D. x 9/16 Gasket	2
7	5015-26	Motor & Pump Mount	1	15	03-4	1-1/8 O.D. x 9/16 I.D. Washer	2
8	11-B	3/8 Upper Flex Hose	1	16	P-13	10•24 x 3/8 Type A Screw	2
9	12-3	3/8 Ball Valve	1	17	11-4	1/4•20 x 1/2 Hex Head Machine Screw	4
	12-4	3/8 x 2 Brass Nipple	1	18	BF50	Barrier Filter	1
	12-2BR	3/8 Brass St. El.	1				

PARTS LIST MODEL 65



TO ORDER FILTERS, PARTS, AND SUPPLIES CALL TOLL FREE: 800-328-7942 • In MN: 612-934-2555 • FAX: 612-934-3909

No.	PART No.	DESCRIPTION	Qty.	No.	PART No.	DESCRIPTION	Qty.
1	09-2	Cover Knob	1	14	5001-2C	2" Plastic Drain Valve	1
2	B-3	#10 External Shakeproof washer	1	15	6002-3	Leg	4
3	P-1	8-32 x 5/8 Machine Screw	1	16	11-3	1/4 - 20 Hex Nut	16
4	6009	Cover	1	17	02-6	1/4 Spring Lockwasher	16
5	01-12	10-24 x 1/2 Machine Screw	2	18	02-5	1/4 - 20 x 5/8 Machine Screw	16
6	B-3	#10 External Shakeproof Washer	2	19	16	Power Cord	1
7	10-5B	10-24 Hex Nut	2	20	01-10	10-24 x 3/8 Type 23 Screw	2
8	10	Support Arm	1	21	16-2	Strain Relief	1
9	10-2	Spring	1	22	5004-1	Junction Box Cover	1
	10-1	Fusible Link	1	23	04-2	Switch	1
	65003	Manifold	1	24	04-1	Indicator Light	1
12	5001-16	I-Grate	1	25	08-A	Basket	1
13	6501	Cabinet	1	x	BR-6	Brush (Not Shown)	1



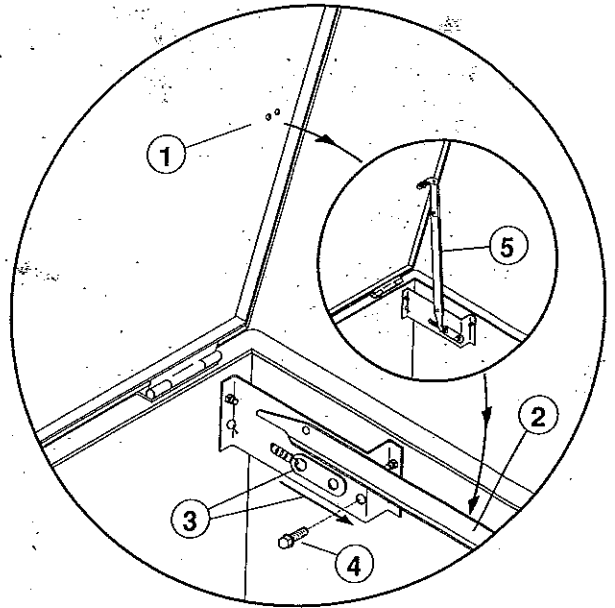
PUMP ASSEMBLY

TO ORDER FILTERS, PARTS, AND SUPPLIES CALL TOLL FREE: 800-328-7942 • In MN: 612-934-2555 • FAX: 612-934-3909								
No.	PART No.	DESCRIPTION	Qty.	No.	PART No.	DESCRIPTION	Qty.	
1	5015-11	Motor & Pump Cover	1	13B	416-4	1/2 x 1/4 Brass Hex Bushing	1	
2	14-2A	Filter Cap	1	13C	03-3	1/4 NPT Nut	2	
3	14-3	Filter Gasket	1	13D	RK15NK-2	65 Pump	1	
4	F-100	Filter Cartridge	1	13E	NK15-36	Pump Volute	1	
5	5014	Filter Housing	1	13F	15-40	1/4 x 2-1/2 Brass Nipple	1	
6	5014-8	5/8 x 7/8 Vinyl Tube @ 6-3/4"	1	13G	03-6	1/4 x 90° Brass El.	1	
7	5015-26	Motor & Pump Mount	1	13H	03-18	1/4 x Close Nipple	1	
8	11-B	3/8 Upper Flex Hose	1	14	03-5	1-1/16 O. D. x 9/16 I. D. Fiber Washer	2	
9	12-3	3/8 Ball Valve	1	15	03-4	1-1/8 O. D. x 9/16 I. D. Washer	2	
	12-4	3/8 x 2 Brass Nipple	1	16	P-13	10-24 x 3/8 Type A Screw	2	
	12-2BR	3/8 Brass St. El.	1	17	11-4	1/4-20 x 1/2 Hex Hd. Machine Screw	4	
12	2426	1/2 x 3/4 Vinyl Tube @ 2-3/4"	1	18	BF50	Barrier Filter	1	
13A	2227	1/2 x 90° Galv. El.	1					

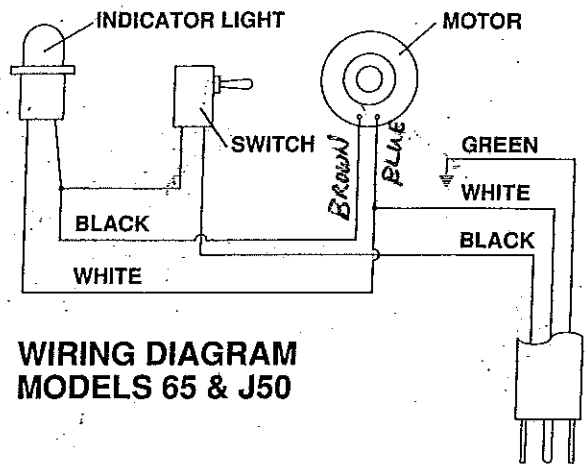
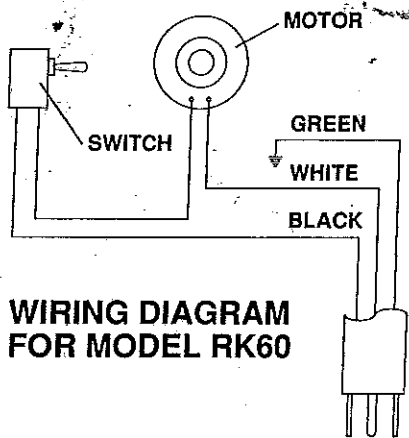
FUSIBLE LINK

REPLACING FUSIBLE LINK

1. Prop cabinet cover in open position. Remove Support Arm bolts.
2. Fold Support Arm down as shown.
3. Engage new Fusible Link, (Part # 10-1), over spring end. Pull link forward.
4. Line up Fusible Link with hole. Replace Fuse Bolt.
5. Return Support Arm to upright position. Rebolt in place.



WIRING DIAGRAMS



LIMITED WARRANTY

Kleer-Flo Parts Washers are warranted for one year against defective parts and workmanship. The warranty covers the repair or replacement at our option, of any part that proves to be defective at no charge to the customer. All labor and shipping costs will be borne by the customer, unless otherwise agreed upon. Warranty does not cover equipment abuse, motors and pumps that show evidence of tampering or electrical equipment damaged due to improper voltage.

No returns will be accepted at factory without written authorization.

All returns must be shipped prepaid to the address below.

KLEENTEC
1212 SYKES ST.
PO BOX 91
ALBERT LEA, MN 56007



CALL TOLL-FREE
1-800-435-5336
507-373-5152
FAX 507-373-9262