

CLEANMASTER PARTS WASHER

MODEL J80 • MODEL 70 • MODEL 70B

OPERATION AND CARE INSTRUCTIONS

DEAR CUSTOMER,

Thank you for your recent purchase of a Kleer-Flo Cleanmaster Parts Washer. Like thousands of other Kleer-Flo customers, you've made an excellent choice.

When used according to instructions, your Cleanmaster equipment will provide many years of trouble-free service. The many superior features it provides will make short work of oil, grease, dirt and grime, bringing exceptional efficiency and economy to your operation. And depending on the nature of your cleaning operation and type of filtration you've ordered, you'll find you can use your Kleer-Flo cleaning solvent over and over for months with your Cleanmaster unit by simply draining off the accumulated residue from time to time.

For top performance, we highly recommend that you use our non-hazardous Degreasol® 99R cleaning solution in your Cleanmaster unit. It's formulated specifically for use in Kleer-Flo Cleanmaster Parts Washers, and gives you superior cleaning performance without harming the skin, hands or clothing. And with its high flashpoint, Degreasol 99R contains no ingredients or characteristics defined as hazardous by the EPA's RCRA Act.

You'll also find that we've enclosed a Kleer-Flo parts cleaning brush with your machine at no extra cost. You can obtain additional brushes, as well as the wide range of other parts washers, safety cleaning solutions, accessories and recycling technologies manufactured by Kleer-Flo, from your local distributor. Or, feel free to write to our Engineering Department about your special cleaning needs - with no obligation of course.

Please fill out and mail the enclosed warranty card today. We look forward to serving you again.

Very truly yours,

Kleer-Flo Company

KLEENTEC
P.O. Box 91
1212 Sykes Street
Albert Lea, MN 56007
507-373-5152

FOR BEST RESULTS

We recommend Kleer-Flo's DEGREASOL® 99R General Purpose Cold Cleaning Solvent. It is especially designed to be used in these machines. DEGREASOL 99R is non-hazardous as defined by EPA's RCRA regulations and has a high flashpoint of 141° F. TCC. It is non-toxic, dries with no residue and due to its special formulation, you never have to throw it away. Other DEGREASOL solvents are available; contact the factory for additional information.

RECLAIM YOUR SOLVENT

With Kleer-Flo's SEP-R-ATOR™ Parts Washer Solvent Reclaimer. The SEP-R-ATOR is not a distillation unit. It is a very sophisticated filtration system which allows you to recycle and re-use your parts washer solvent indefinitely. The SEP-R-ATOR simply plugs into a 110-volt outlet. It is very safe, simple to operate, and profitable for the user. Depending on the volume of parts washer solvent used, it can pay for itself in as little as one year. See Kleer-Flo's catalog S-12 for details.

UNPACKING

Cleanmaster units are packed in a three-piece heavy duty corrugated container held in place by metal strapping. After cover is removed and wrapping paper is taken off, inspect closely for concealed damage.

If damage is apparent, immediately report it to the delivering carrier.

Inside the unit, you will find a carton with a bag containing four casters. Remove carton and insert a caster in each leg of machine. Take out the remaining contents packed inside the top of the machine.

FILLING MACHINES

1. Be sure drain plug is securely in place.
2. Remove right hand work shelf exposing pump reservoir.
3. Fill main outer tank up to fluid level mark on back wall of cabinet. If machine has a soaking tank, make sure plug is in place and then fill soaking tank to the top.

CAUTION

DO NOT OVERFILL

- Fill MODEL J80 to a capacity range of 45-55 gallons.
- Fill MODEL 70 to a capacity range of 40-55 gallons.
- Fill MODEL 70B to a capacity range of 15-30 gallons.

CAUTION

- Use only petroleum-base solvents with a flashpoint of 115° F. or higher. Other types will remove paint, attack seals, and cause leaking.
- Do not use carburetor cleaner or chlorinated solvents in the machine.

OPERATION

1. Check serial plate of tag on power cord to determine power requirements. Cleanmasters are available in various power specifications.
2. Make sure switches are in "off" position and direct stay-put discharge hose into unit. Plug into power supply.
3. Turn on the "Rinse" switch to start fluid flow through the stay-put hose.
 - On MODELS 70 & 70B connect machines to air supply with air hose provided. Pressure should be a minimum of 40 PSI to 60 PSI maximum. Open air valve and air will pass through the manifold causing rolling agitation of the solvent.
 - On MODEL J80 create agitation by turning on the "Agitation" switch starting flow through the manifold.

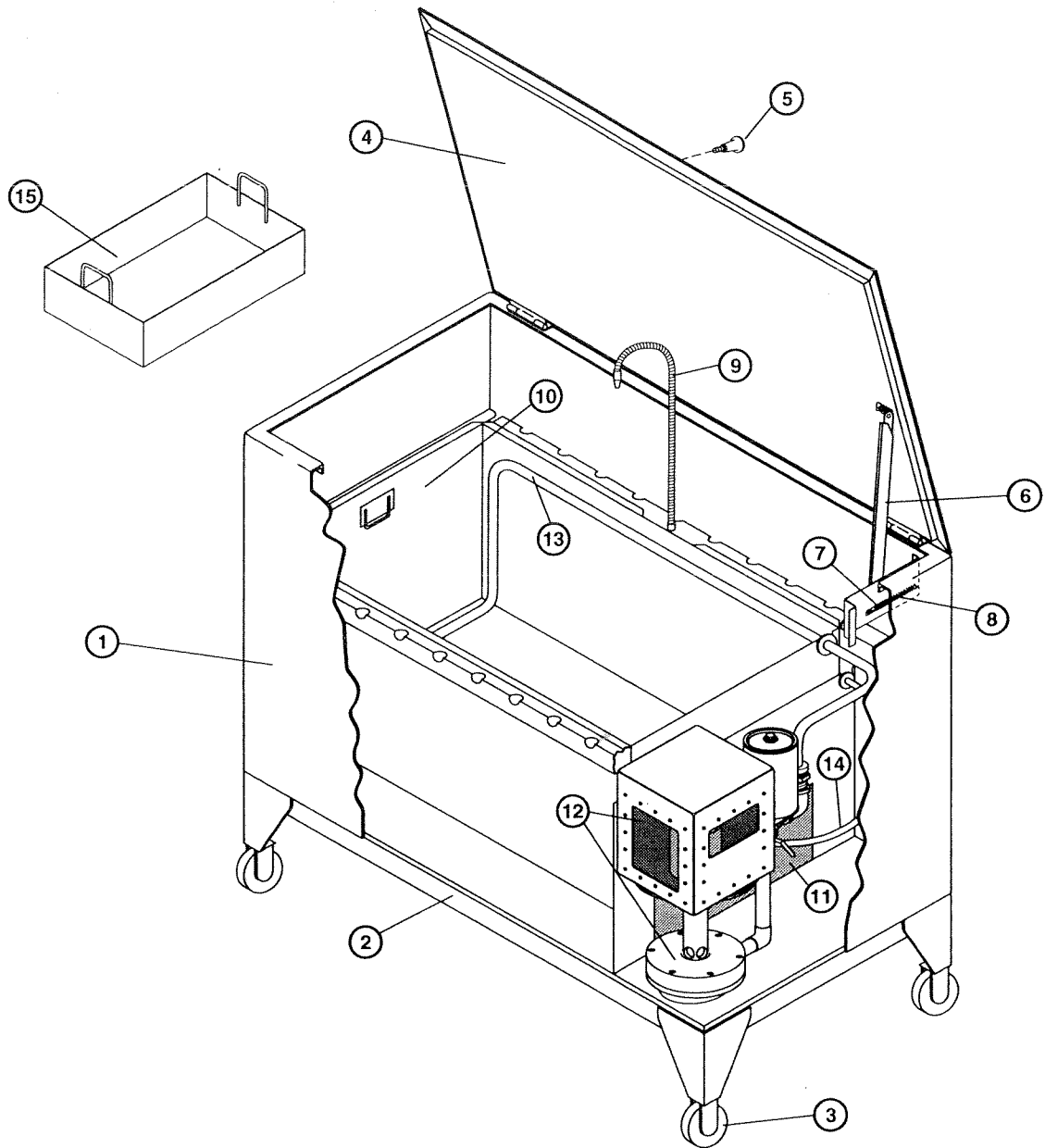
FILTER SYSTEM

These models are equipped with the unique Kleer-Flo dual filtration system. Beside the pump reservoir is a carrier type filter through which all solvent is drawn prior to entering pump. This filter keeps large contaminants from entering the pump reservoir. Solvent then passes through a cartridge type filter. This allows only clean solvent to be used in the final rinsing of parts.

CLEANING YOUR PARTS WASHER

1. Remove work shelves.
2. When using DEGREASOL® 99R, direct discharge hose into a holding container such as a drum. Start pump.
3. When pump runs dry, remove plug in bottom of soaking tank and let drain into main tank. Pump this solvent into the holding container.

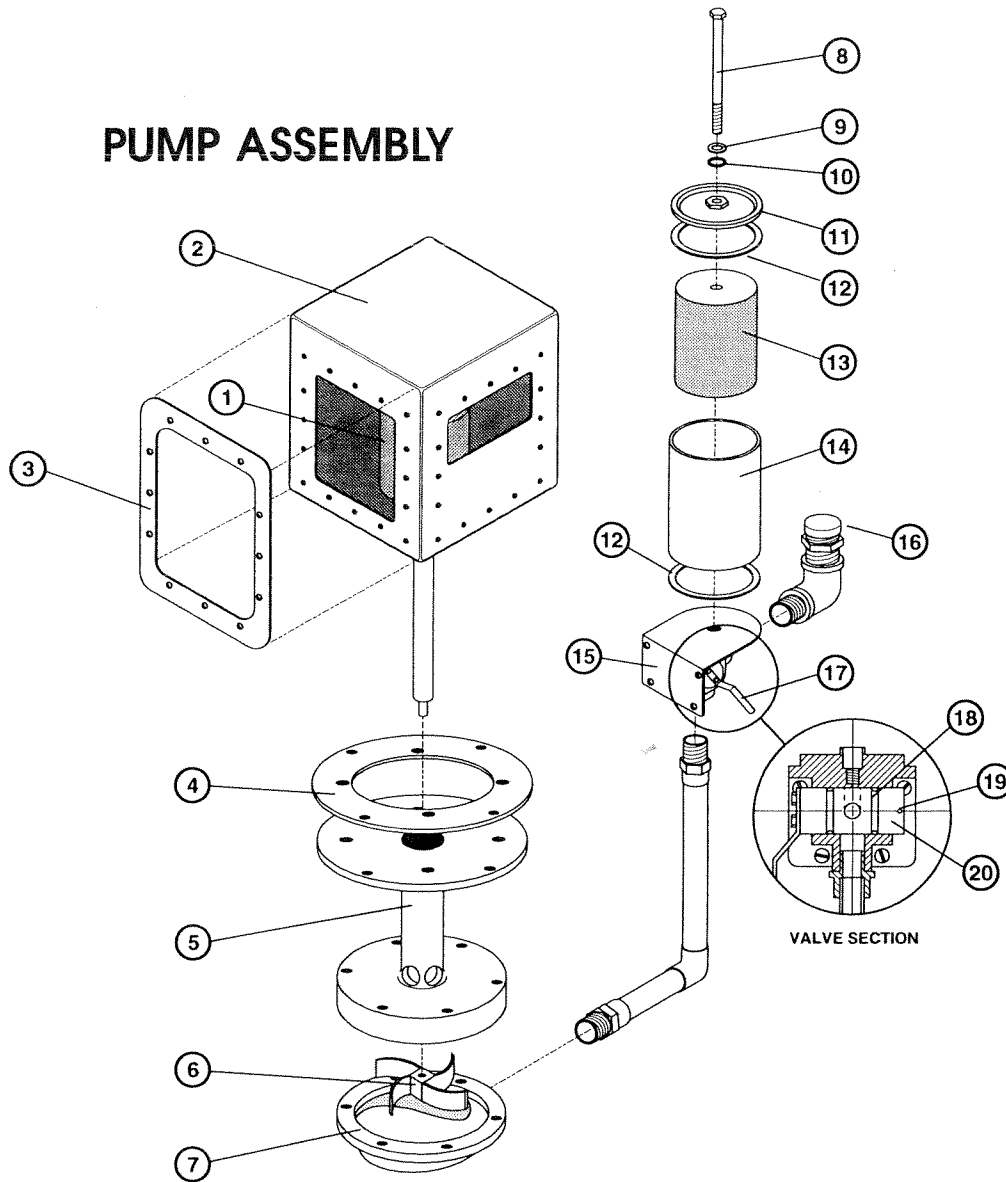
PARTS LIST MODEL J80



TO ORDER FILTERS, PARTS, AND SUPPLIES CALL TOLL FREE: 800-328-7942 • In MN: 612-934-2555 • FAX: 612-934-3909

No.	PART No.	Ref. No.	DESCRIPTION	Qty.	No.	PART No.	Ref. No.	DESCRIPTION	Qty.
1	702216	801	Cabinet	1	14	497516	12	Lower Hose	1
2	701410	02	Base	1	15	08	08	Basket	1
3	572010	02-2	Casters	4	x	571012	03-11	Soaking Tank 3/4" Bung Nut (Not Shown)	1
4	702614	09-A	Cover	1	x	571010	01-2	2" Bung Nut (Not Shown)	1
5	575010	09-2	Cover Knob	1	x	706018	05-2	Reservoir Cover (Not Shown)	1
6	101010	10	Support Arm Assembly	1	x	706010	05	Double Flange Work Shelf (Not Shown)	1
7	573610	10-1	Fusible Link	1	x	706014	06	Left Hand Work Shelf (Not Shown)	1
8	521010	10-2	Spring Closure	1	x	706012	07	Drying Shelf (Not Shown)	1
9	495051	11	Flex Hose	1	x	706810	804	Motor Louver (Not Shown)	1
10	103032	803	Soaking Tank	1	x	443810	04-1	Indicator Light (Not Shown)	1
11	511111	BF100	Barrier Filter	1	x	446414	04-1A	Switch (Not Shown)	1
12	101612	815	Motor & Pump	1	x	573010	09-3	Brush Holder (Not Shown)	1
13	412016	803-2	Manifold	1	x	555011	BR-5	Brush (Not Shown)	1

PUMP ASSEMBLY



TO ORDER FILTERS, PARTS, AND SUPPLIES CALL TOLL FREE: 800-328-7942 • In MN: 612-934-2555 • FAX: 612-934-3909

No.	PART No.	Ref. No.	DESCRIPTION	Qty.	No.	PART No.	Ref. No.	DESCRIPTION	Qty.
1	444610	815-8	Motor	1	11	511411	814-2	Filter Cover	1
2	471414	815-13	Motor Housing	1	12	502022	814-3	Filter Gasket	2
3	502034	15-1	Motor Housing Gasket	2	13	511015	K200-33	Filter Cartridge	1
4	502028	815-12A	Pump Support to Motor Housing Gasket	1	14	511514	814-7	Filter Shell	1
5	471310	815-12	Pump Body	1	15	472410	815-10	Valve Body	1
6	471614	815-14	Impellor	1	16	440512	803-15	Manifold Adaptor	1
7	471617	815-11	Pump Cover	1	17	714010	815-16	Valve Lever	1
8	532070	814-6	Filter Stud	1	18	504010	15-34	O-Ring	2
9	532434	B-2	Washer	1	19	531210	P-21	3/16 x 3/4 Valve Spring Pin	1
10	532428	814-14	Stud Gasket	1	20	472414	813-5	Valve	1

CLEANING YOUR PARTS WASHER (cont)

5. Stir solvent in main tank so all sludge is mixed in and then open plug in bottom of tank or pump out with Kleer-Flo's R-10 Roto-Pump™ or EZ-3 Pump.
6. Rinse out with DEGREASOL.
7. Replace plugs.
8. Wash out barrier filter with DEGREASOL and replace.
9. Replace new cartridge filter,
 - part # 511015 for MODEL J80
 - part # 511011 for MODEL 70 & 70B
10. Replace soaking tank.
11. When using DEGREASOL, **let holding container stand overnight** and then pump off the re-useable top solvent leaving any sediment in bottom of container.

MOTOR & PUMP CARE

All Kleer-Flo motor and pump units are adjusted at the factory. Do not attempt to adjust in the field without authorization or proper instructions. To access first remove power cord plug from outlet. Then remove louver by unscrewing the two center screws. Louver will then lift off exposing electrical connections, fan and motor.

NOTE

On MODELS 70 & 70B, the motor must be oiled every 90 days. Put several drops of SAE 10 motor oil in the hole under the fan. If fan is removed, use caution in replacing so that blades are not obstructed.

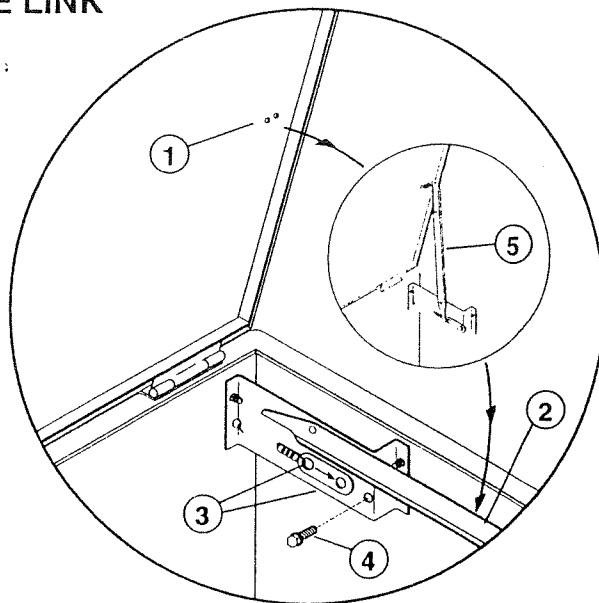
CAUTION

- Do not operate while louver is off.
- Do not operate without a fan.
- Do not operate without fluid in tank.

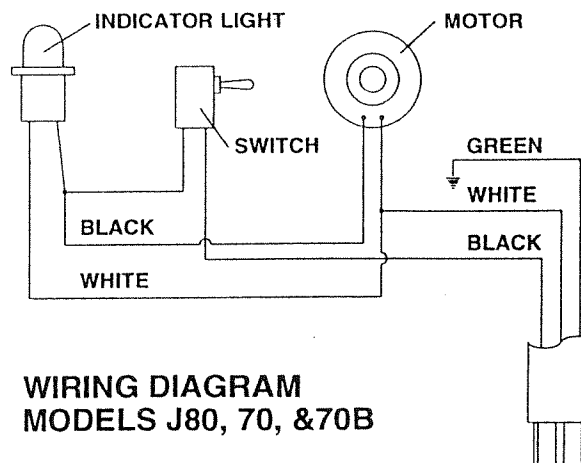
FUSIBLE LINK

REPLACING FUSIBLE LINK

1. Prop cabinet cover in open position. Remove Support Arm bolts.
2. Fold Support Arm down as shown.
3. Engage new Fusible Link, (Part # 10-1), over spring end. Pull link forward.
4. Line up Fusible Link with hole. Replace Fuse Bolt.
5. Return Support Arm to upright position. Rebolt in place.



WIRING DIAGRAM



WIRING DIAGRAM
MODELS J80, 70, & 70B