



KT 1030 – 30 GALLON

INDUSTRIAL PARTS CLEANER SYSTEM

OPERATION AND INSTRUCTION MANUAL

IMPORTANT INFORMATION READ BEFORE OPERATING

1. Do not modify this machine. This parts cleaner is intended for use with approved cleaning solvents.
2. Do not add other chemicals such as kerosene, fuel oil, gasoline, transmission fluid, detergents or water.
3. Avoid leaving large parts, soaking pans or tools in parts cleaner, which could prevent lid from closing in case of fire.
4. Do not leave solvent-soaked rags in parts cleaner, wadded up on workbenches or in uncovered containers.
5. Do not leave open pans of solvent in the sink or anywhere around your place of business.
6. When cleaning carburetors, wash out all excess gasoline before placing in parts cleaner. Gasoline has a lower flash point (105°) than KleenTec approved solvents and should never be mixed with solvents.
7. Do not replace fusible link with any other device to hold lid up. If fusible link should fail, for any reason, call your KleenTec representative immediately.
8. Soak up all solvent spills with absorbent floor compounds. Remove all solvent-soaked materials immediately from shop areas and dispose of properly.
9. Call your KleenTec representative should your parts cleaner need service.
10. Make certain your KleenTec KT1030 Parts Cleaner is plugged into a grounded outlet. Do not snip grounding prong from plug.
11. Be sure to close parts washer cover when not in use.

TO INSTALL PUMP MODULE ASSEMBLY:

1. Slide switch box through opening on side of parts washer tank and mount module.
2. Put two (2) 1/4x20x1/2" screws and nuts through tank and module
3. Put cover on pump module using two (2) #8x3/8" screws.

TO REMOVE PUMP MODULE ASSEMBLY:

1. Loosen (2) #8x3/8" screws and nuts that hold pump module cover on.
2. Remove (2) 1/4x20x1/2" screws and nuts that secure module in place.
3. Slide module up approximately 1/2" and slide switch box through opening.

KLEENTEC KT1030 PARTS WASHER PARTS & ACCESSORIES

<i>KLEENTEC PARTS</i>	<i>WASHER ACCESSORIES</i>	<i>KLEENTEC PARTS</i>	<i>WASHER PARTS</i>
PART NUMBER	DESCRIPTION	PART NUMBER	DESCRIPTION
5001	PARTS WASHER LITE (ALL UNITS)	5000HD	DOOR CLOSURE
5004	FILTER SYSTEM (ALL UNITS)	7047	MODULE FILTER
7039	PARTS BASKET (ALL UNITS)	7048-1	FILTER PAD KT1030
		5553	ROCKER SWITCH
7287-1	HEAVY DUTY PARTS WASHER BRUSH WITH HOSE	7206	ELECTRIC PUMP
		7209	FLEX SPIGOT
		7212	FUSIBLE LINK FOR P/N 5000

KLEENTEC, INC.

C.T. & ASSOCIATES LLC
 ENVIRONMENTAL & SAFETY EQUIP
 (248) 496-7375 email:
 ctassociates@msn.com

WARRANTY

The manufacturer will replace at no charge to the original purchase (end user), any part or parts found to be defective in material or workmanship, when part is returned to our factory for inspection within 90-days from date of purchase. Transportation charges to be paid by purchaser.

In the event of any modification to unit, misuse, negligence or accident, warranty is void.

There is no other warranty expressed or implied. The manufacturer shall in no event be liable for consequential damages.

The manufacturer reserves the right to make changes in design or improvements on its product without imposing any obligation on itself to install the same on its product theretofore sold.

Warranty becomes valid only if registration card is promptly executed and mailed within fifteen (15) days from date of installation of unit.

SOLVENT INFORMATION

USE ONLY APPROVED METAL PARTS CLEANING SOLVENT

IN CASE OF FIRE: Use dry chemicals, foam or carbon dioxide to extinguish flame. The fusible safety-link is designed to melt and allow the cover to fall shut and smother any flames.

TOXICITY: KleenTec solvent is, by definition only, slightly toxic to relatively non-toxic. Avoid inhaling or swallowing KleenTec solvent. If inhaled, ingested, or contacted with your skin, face or eyes, follow first aid (medical instructions) for treatment.

PRECAUTIONS:

1. Locate the unit in well-ventilated area.
 2. CAUTION – COMBUSTIBLE MIXTURE.
Keep from heat, sparks, and open flame.
 3. Do not smoke, drink or eat in work area.
 4. Avoid contact with eyes. Will cause irritation and/or pain. Wear safety glasses.
 5. Avoid repeated and/or prolonged contact with skin. May cause irritation or dermatitis. It is recommended that protective rubber glove, KleenTec Skin Protectant, and protective clothing be used in cases of prolonged or continual exposure to solvent.
- NOTE: A solvent-soaked rag in your pocket will cause a skin rash at point of contact.
6. Avoid repeated and/or prolonged breathing of vapors. Vapors are heavier than air and will collect in low areas. High vapor concentrations can cause dizziness or unconsciousness.
 7. Do not mix with other chemicals such as gasoline, fuel oils, transmission fluid, detergents or water.

FIRST AID:

1. INHALATION OVEREXPOSURE:
Remove to fresh air immediately.
If not breathing, give artificial respiration.
If breathing is difficult, give oxygen. Call a physician immediately.
2. EYE CONTACT:
Flush eyes with plenty of water for at least 15 minutes. Call a physician immediately.
3. SKIN CONTACT:
Remove saturated clothes immediately to avoid skin rash or absorption of solvent into skin.
Flush with water for at least 15 minutes. Call a physician immediately.
4. INGESTION:
DO NOT INDUCE VOMITING.
If conscious, drink large quantities of water.
Take immediately to hospital or physician.

UNIT ASSEMBLY INSTRUCTIONS

STEP 1 Remove lower shelf. Open Tank; remove inner carton and remove parts packed inside (fig. 1). Inspect for damage. Close cover on tank and reclose top carton flaps.

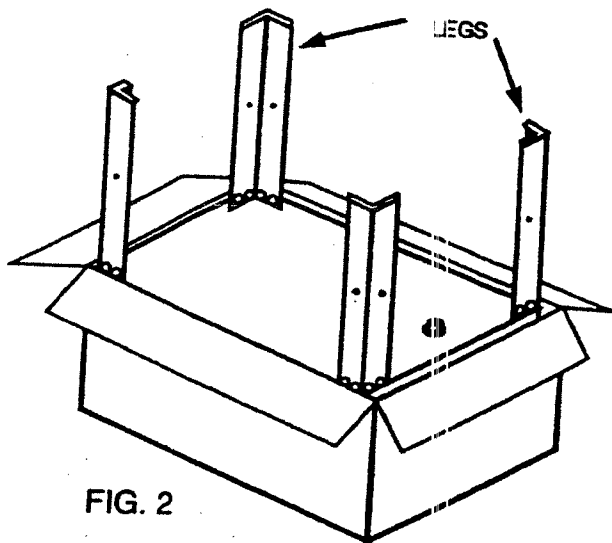


FIG. 2

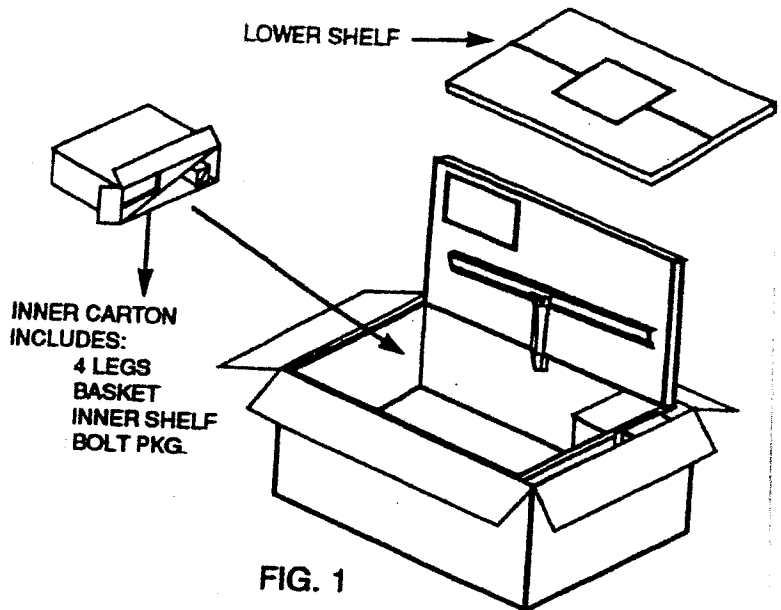


FIG. 1

STEP 2 Turn the carton upside down and open bottom carton flaps. Assemble legs to brackets on bottom of tank (fig.2) with the 4 legs and bolt pkg. listed in fig. 1. Do not tighten bolts at this time.

STEP 3 Remove packing from lower shelf (shown in fig. 1) and assemble inside of 4 legs using remaining nuts and bolts (fig. 3). Tighten all bolts

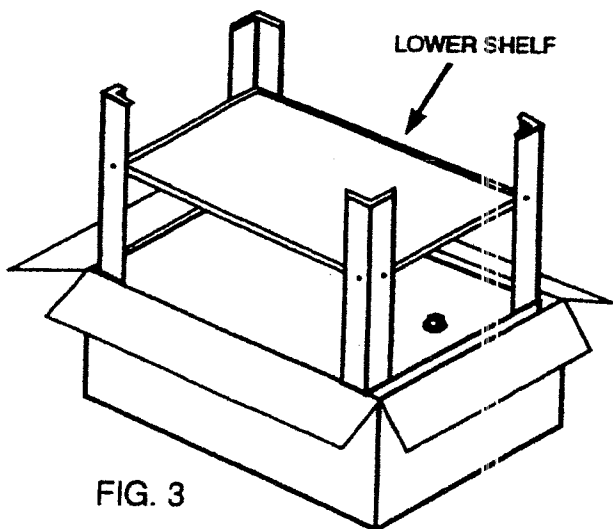


FIG. 3

STEP 4 Turn assembly over onto legs and remove carton and packing. Open tank and place tray and basket inside machine (fig. 4).

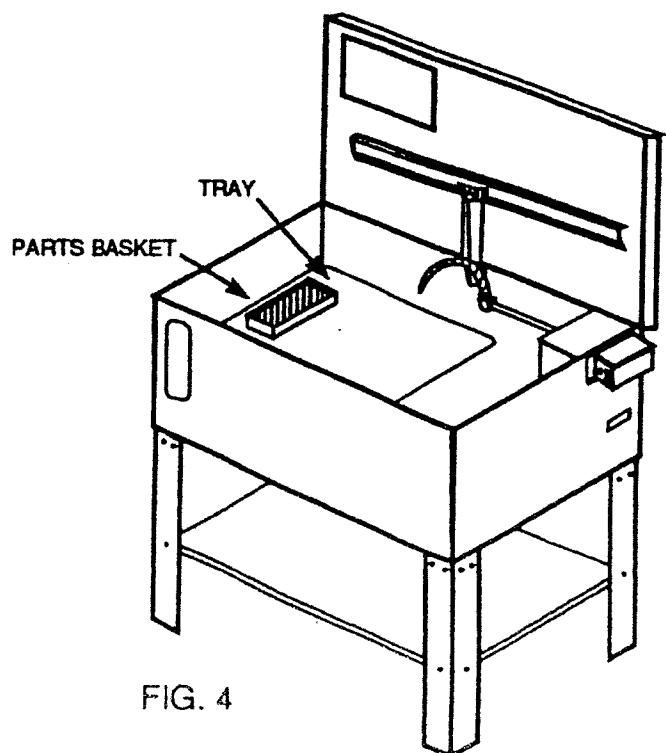


FIG. 4